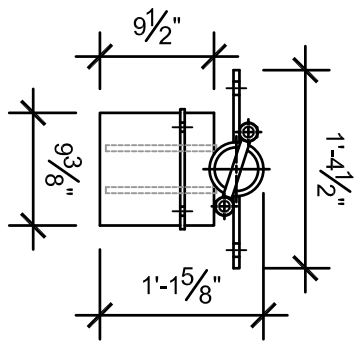
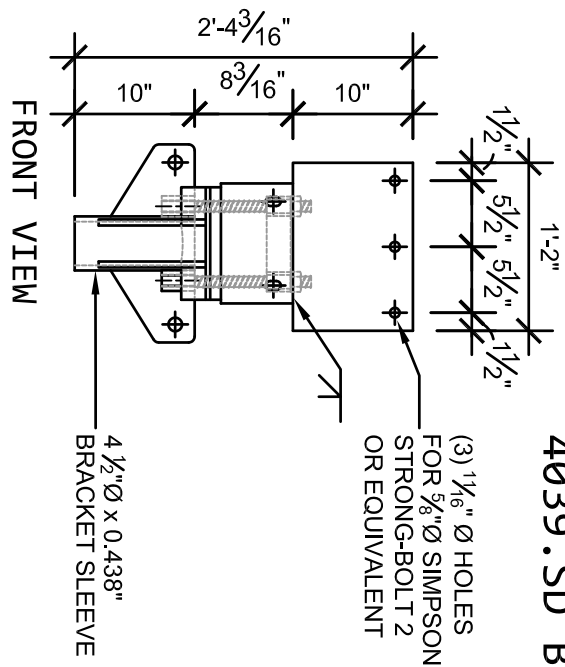
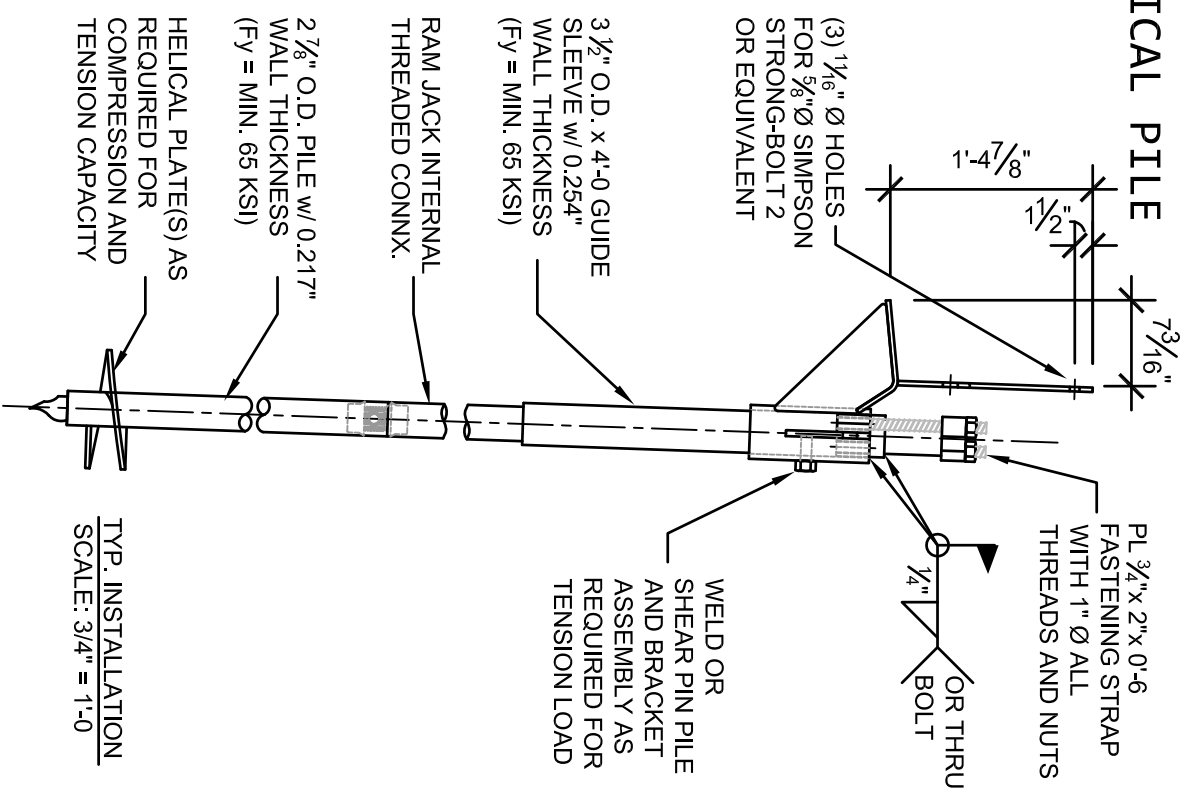


# 4039. SD BRACKET - 2 7/8" Ø HELICAL PILE



LOAD CHART	
ULTIMATE COMPRESSION CAPACITY	64,140 LBS
ALLOWABLE COMPRESSION CAPACITY (S.F. = 2)	32,070 LBS
MAXIMUM LATERAL LOAD CAPACITY	CALC. REQ'D
MAXIMUM TENSION CAPACITY	CALC. REQ'D

- NOTES:
- POLYETHYLENE COPOLYMER THEMOPLASTIC COATING PER IC-CES AC228.
  - MANUFACTURER TO HAVE IN EFFECT INDUSTRY RECOGNIZED WRITTEN QUALITY CONTROL FOR ALL MATERIALS AND MANUFACTURING PROCESSES.
  - ALL WELDING IS TO BE DONE BY WELDERS CERTIFIED UNDER SECTION 5 OF THE AWS CODE D1.1.
  - THE CAPACITY OF THE UNDERPINNING SYSTEM IS A FUNCTION OF MANY INDIVIDUAL ELEMENTS, INCLUDING THE CAPACITY OF THE FOUNDATION, BRACKET, DESIGN UNBRACED LENGTH, PIER SHAFT, HELICAL PLATE, AND BEARING STRATA, AS WELL AS THE STRENGTH OF THE FOUNDATION BRACKET CONNECTION AND THE QUALITY OF THE INSTALLATION OF THE PILE. YOUR ACHIEVABLE CAPACITIES COULD BE HIGHER OR LOWER THAN THOSE LISTED DEPENDING ON THE ABOVE FACTORS.



# RAM JACK

4039. SD BRACKET W/ 2 7/8" PILE				CATALOG NO. : SEE TABLES	REV. 1
SCALE	DRAWN BY	DATE:			
3/4" = 1'-0"	DW	12/21/20			SHEET 1 OF 1